



ASHWORTH
PEOPLE - PRODUCTS - SERVICE

PIPE HANGING SYSTEMS PRODUCT GUIDE



Issue July 2021

www.ashworth.uk.com



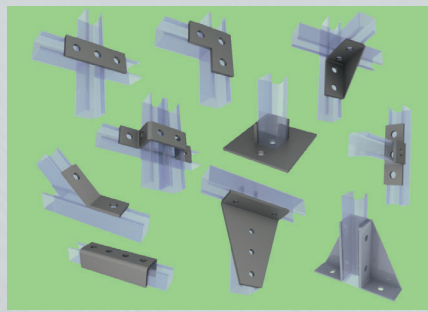
ASHWORTH

Suppliers of Pipe & Drainage Systems, Valves, Bracketry & Associated Products



People

The key strength within our business are our colleagues. Due to the vast product ranges we supply, the importance of correct product selection and goods that are delivered safely and complete we highly value industry experience and therefore recruit the best.



Products

Operating within the Mechanical, Public Health, Industrial and Process markets require us to stock and supply high quality branded products suitable for critical applications. We operate to ISO9001, ISO14001 and are registered under the Achilles® Supply Chain Management scheme.



Service

Our transport fleet operate to FORS Silver and our vehicles are equipped with HIAB off-loading facilities complete with all the latest health & safety equipment to safely convey material to site. The lorries are specified with Euro 6 engines that meet the stringent London low emission zone standards.

Contents

Page

Channel Brackets & Fittings

3 - 5

Pipe Supports

6

Channel

7

Plastic Pipe Fittings

8

Insulating Blocks

8 - 9

General Fasteners

10 - 11

Malleable Iron Fittings

12

Brass Fittings

12

Fire Protection

13

Flat Roof Support

13

Pipe & Drainage Systems, Valves, Bracketry & Associated Products

14

Key Suppliers

15

E&OE



ASHWORTH
PEOPLE - PRODUCTS - SERVICE

If you do not see what you want then please ask one of our team

Bristol: 0117 961 7000

Coatbridge: 01698 535 930

Manchester: 0161 967 0400

Rochester: 01634 566 860

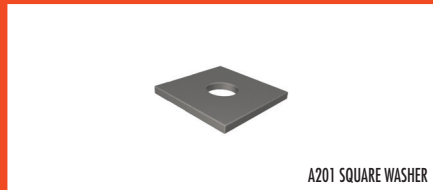
CHANNEL BRACKETS & FITTINGS

All product codes are prefixed 1960

PRODUCT DESCRIPTION
CODE

PRODUCT DESCRIPTION
CODE

PRODUCT DESCRIPTION
CODE

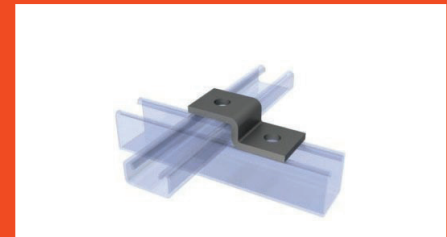


A201 SQUARE WASHER

3001	M8 A201 SQUARE WASHER
3002	M10 A201 SQUARE WASHER
3003	M12 A201 SQUARE WASHER



A210 FLAT PLATE 'L' TYPE 3 HOLE



A230 Z BRACKET



A202 FLAT PLATE 2 HOLE

3020	A202 FLAT PLATE 2 HOLE
------	------------------------

3040	A210 FLAT PLATE 'L' TYPE 3 HOLE
------	---------------------------------

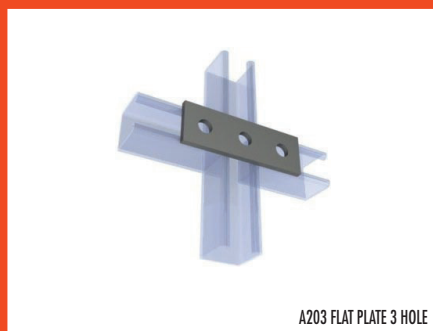
3075	41x21 A230 Z BRACKET
------	----------------------



A215 FLAT PLATE 'T' TYPE 4 HOLE



A231 Z BRACKET



A203 FLAT PLATE 3 HOLE

3025	A203 FLAT PLATE 3 HOLE
------	------------------------

3045	A215 FLAT PLATE 'T' TYPE 4 HOLE
------	---------------------------------

3080	41x41 A231 Z BRACKET
------	----------------------



A220 TOP HAT



A232 Z BRACKET



A204 FLAT PLATE 4 HOLE

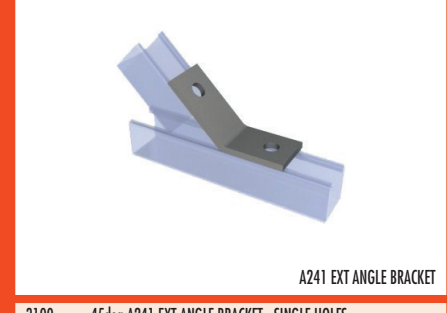
3030	A204 FLAT PLATE 4 HOLE
------	------------------------

3050	41x41 A220 TOP HAT
3051	41x21 A220 TOP HAT

3085	82x41 A232 Z BRACKET
------	----------------------



A222 TALL TOP HAT



A241 EXT ANGLE BRACKET



A205 FLAT PLATE 5 HOLE

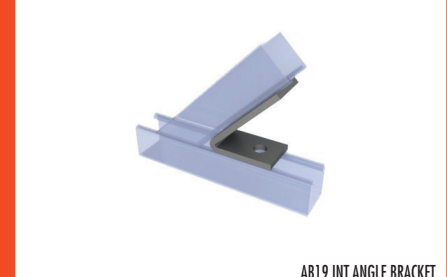
3035	A205 FLAT PLATE 5 HOLE
------	------------------------

3060	82x42 A222 TALL TOP HAT
------	-------------------------

3100	45deg A241 EXT ANGLE BRACKET - SINGLE HOLES
------	---



A225 EXTERNAL SPLICE



AB19 INT ANGLE BRACKET

3065	41x41 A225 EXTERNAL SPLICE
------	----------------------------

3110	45deg AB19 INT ANGLE BRACKET
------	------------------------------

CHANNEL BRACKETS & FITTINGS

If you do not see what you want then please ask one of our team

Bristol: 0117 961 7000

Coatbridge: 01698 535 930

Manchester: 0161 967 0400

Rochester: 01634 566 860



ASHWORTH
PEOPLE - PRODUCTS - SERVICE

CHANNEL BRACKETS & FITTINGS

All product codes are prefixed 1960

CHANNEL BRACKETS & FITTINGS

PRODUCT DESCRIPTION
CODE

PRODUCT DESCRIPTION
CODE

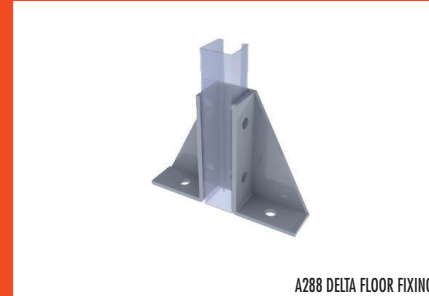
PRODUCT DESCRIPTION
CODE



3120 A245 REINFORCED ANGLE BRACKET



3160 A270L 90deg LEFT SIDE WING BRACKET



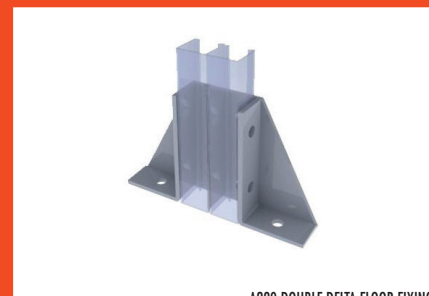
3200 A288 DELTA FLOOR FIXING



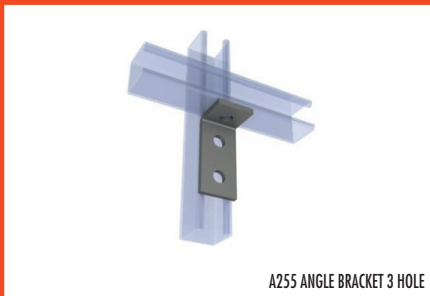
3125 A250 ANGLE BRACKET 2 HOLE (50x47)
3130 A251 ANGLE BRACKET 2 HOLE (57x41)



3170 A271R 90deg RIGHT SIDE WING BRACKET



3205 A290 DOUBLE DELTA FLOOR FIXING



3135 A255 ANGLE BRACKET 3 HOLE (41x104)
3136 A256 ANGLE BRACKET 3 HOLE (47x98)



3185 A280 SINGLE STRUT BASE PLATE



3210 A292 TOWER FIXING



3145 A260 ANGLE BRACKET 4 HOLE (2/2)



3190 A282 DOUBLE STRUT BASE PLATE



3215 A295L LARGE 90deg ANGLE/DELTA FIXING



3150 A261 ANGLE BRACKET 4 HOLE (3/1)



3195 A284 CENTRAL FIX BASE PLATE



3220 A295S SMALL 90deg ANGLE/DELTA FIXING



ASHWORTH
PEOPLE - PRODUCTS - SERVICE

If you do not see what you want then please ask one of our team

Bristol: 0117 961 7000

Coatbridge: 01698 535 930

Manchester: 0161 967 0400

Rochester: 01634 566 860

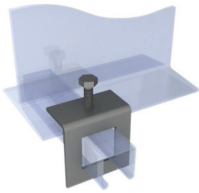
CHANNEL BRACKETS & FITTINGS

All product codes are prefixed 1960

PRODUCT DESCRIPTION
CODE

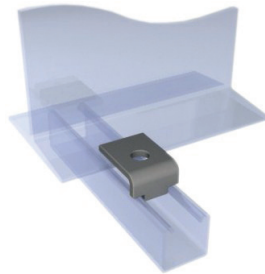
PRODUCT DESCRIPTION
CODE

PRODUCT DESCRIPTION
CODE



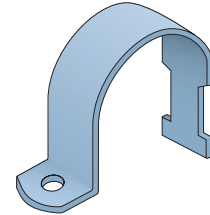
A301 WINDOW BRACKET

3225	41x21 A301 WINDOW BRACKET
3226	41x41 A301 WINDOW BRACKET
3227	41x82 A301 WINDOW BRACKET



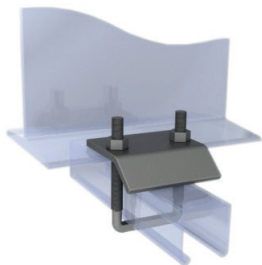
A320 RIDGED BEAM CLEAT

3250	A320 RIDGED BEAM CLEAT
------	------------------------



32NB STRUT/CABLE CLAMP

3503	32NB (43 OD) STRUT/CABLE CLAMP
3511	200NB (219 OD) STRUT/CABLE CLAMP



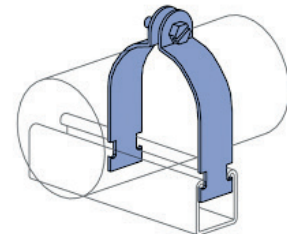
A305 GIRDER PLATE

3231	41x41 A305 GIRDER PLATE c/w SQUARE U-BOLT
------	---



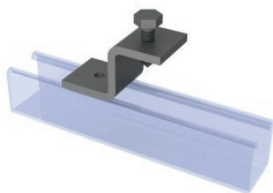
A330 PURLIN CLIP (12mm HOLE)

3270	M10 A330 PURLIN CLIP (12mm HOLE)
------	----------------------------------



25NB TWO PIECE STRUT/CABLE CLAMP

3550	25NB (31.8 - 35.9 OD) TWO PIECE STRUT/CABLE CLAMP
3555	32NB (39.7 - 42.9 OD) TWO PIECE STRUT/CABLE CLAMP
3560	40NB (46.8 - 50.8 OD) TWO PIECE STRUT/CABLE CLAMP
3565	50NB (58.7 - 63.5 OD) TWO PIECE STRUT/CABLE CLAMP
3570	65NB (73.0 - 79.4 OD) TWO PIECE STRUT/CABLE CLAMP
3575	80NB (88.1 - 95.2 OD) TWO PIECE STRUT/CABLE CLAMP
3580	100NB (111.1 - 120.7 OD) TWO PIECE STRUT/CABLE CLAMP
3585	125NB (138.1 - 149.2 OD) TWO PIECE STRUT/CABLE CLAMP
3590	150NB (161.9 - 174.6 OD) TWO PIECE STRUT/CABLE CLAMP



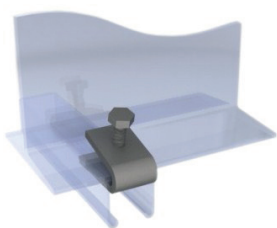
A310 Z BEAM CLAMP TAPPED M10

3235	A310 Z BEAM CLAMP TAPPED M10
------	------------------------------



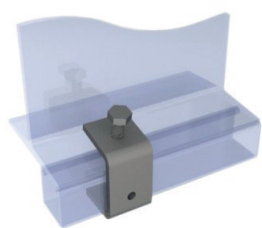
FL210P FLANGE CLAMP (FL210P)

3276	M10 FLANGE CLAMP (FL210P)
3277	M12 FLANGE CLAMP (FL312P)



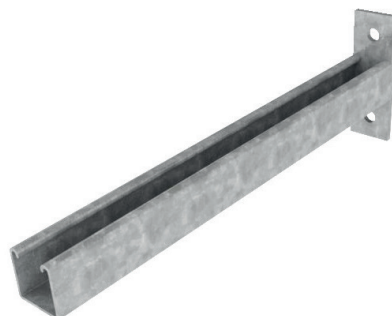
A312 SMALL BEAM CLAMP TAPPED M10

3240	A312 SMALL BEAM CLAMP TAPPED M10
------	----------------------------------



A315 LARGE BEAM CLAMP TAPPED M10

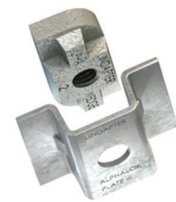
3245	A315 LARGE BEAM CLAMP TAPPED M10
------	----------------------------------



A3150/A3300/A3450/A3600/A3750 SINGLE CANTILEVER ARM

3300	A3150 SINGLE CANTILEVER ARM 150mm LONG
3301	A3300 SINGLE CANTILEVER ARM 300mm LONG
3302	A3450 SINGLE CANTILEVER ARM 450mm LONG
3303	A3600 SINGLE CANTILEVER ARM 600mm LONG
3304	A3750 SINGLE CANTILEVER ARM 750mm LONG

LINDAPTER



M10 AW LINDAPTER ALPHAWEDGE

3702	M10 AW LINDAPTER ALPHAWEDGE
3722	M10 MW2 LINDAPTER MULTIWEDGE 2
3762	M10 TR60 LINDAPTER WEDGE



M10 TC10 LINDAPTER TOGGLE CLAMP

3781	M10 TC10 LINDAPTER TOGGLE CLAMP
3800	M10 WF LINDAPTER WEBFIX

CHANNEL BRACKETS & FITTINGS

If you do not see what you want then please ask one of our team

Bristol: 0117 961 7000

Coatbridge: 01698 535 930

Manchester: 0161 967 0400

Rochester: 01634 566 860



ASHWORTH
PEOPLE - PRODUCTS - SERVICE

PIPE SUPPORTS

All product codes are prefixed 1960

PIPE SUPPORTS

PRODUCT DESCRIPTION
CODE



SPLIT BAND FOR STL PIPE

1600	15NB (21 OD) SPLIT BAND FOR STL PIPE ZINC PLTD (25x3 M6)
1601	20NB (27 OD) SPLIT BAND FOR STL PIPE ZINC PLTD (25x3 M6)
1602	25NB (34 OD) SPLIT BAND FOR STL PIPE ZINC PLTD (25x3 M6)
1603	32NB (42 OD) SPLIT BAND FOR STL PIPE ZINC PLTD (30x3 M10)
1604	40NB (48 OD) SPLIT BAND FOR STL PIPE ZINC PLTD (30x3 M10)
1605	50NB (63 OD) SPLIT BAND FOR STL PIPE ZINC PLTD (30x3 M10)
1662	73mm OD OVERSIZE SPLIT BAND ZINC PLTD (30x3 M10)
1664	65NB (77 OD) SPLIT BAND FOR STL PIPE ZINC PLTD (30x3 M10)
1666	81mm OD OVERSIZE SPLIT BAND ZINC PLTD (30x3 M10)
1668	83mm OD OVERSIZE SPLIT BAND ZINC PLTD (30x3 M10)
1672	80NB (89 OD) SPLIT BAND FOR STL PIPE ZINC PLTD (30x3 M10)
1676	96mm OD OVERSIZE SPLIT BAND ZINC PLTD (30x3 M10)
1682	106mm OD OVERSIZE SPLIT BAND ZINC PLTD (30x3 M10)
1686	100NB (114 OD) SPLIT BAND FOR STL PIPE ZINC PLTD (30x3 M10)
1690	122mm OD OVERSIZE SPLIT BAND ZINC PLTD (30x3 M10)
1692	127mm OD OVERSIZE SPLIT BAND ZINC PLTD (30x3 M10)
1696	139mm OD OVERSIZE SPLIT BAND ZINC PLTD (30x3 M10)
1698	125NB (143 OD) SPLIT BAND FOR STL PIPE ZINC PLTD
1702	148mm OD OVERSIZE SPLIT BAND ZINC PLTD (30x3 M10)
1706	152mm OD OVERSIZE SPLIT BAND ZINC PLTD (40x3 M10)
1708	155mm OD OVERSIZE SPLIT BAND ZINC PLTD (40x3 M12)
1710	159mm OD OVERSIZE SPLIT BAND ZINC PLTD (40x3 M12)
1712	163mm OD OVERSIZE SPLIT BAND ZINC PLTD (40x3 M12)
1714	150NB (168 OD) SPLIT BAND FOR STL PIPE ZINC PLTD
1716	173mm OD OVERSIZE SPLIT BAND ZINC PLTD
1718	176mm OD OVERSIZE SPLIT BAND ZINC PLTD (40x3 M12)
1720	180mm OD OVERSIZE SPLIT BAND ZINC PLTD (40x5 M12)
1722	183mm OD OVERSIZE SPLIT BAND ZINC PLTD (40x5 M12)
1726	190mm OD OVERSIZE SPLIT BAND ZINC PLTD (40x5 M12)
1728	193mm OD OVERSIZE SPLIT BAND ZINC PLTD
1730	199mm OD OVERSIZE SPLIT BAND ZINC PLTD
1734	202mm OD OVERSIZE SPLIT BAND ZINC PLTD (40x5 M12)
1738	212mm OD OVERSIZE SPLIT BAND ZINC PLTD
1742	216mm OD OVERSIZE SPLIT BAND ZINC PLTD
1744	200NB (220 OD) SPLIT BAND FOR STL PIPE ZINC PLTD
1748	232mm OD OVERSIZE SPLIT BAND ZINC PLTD
1752	236mm OD OVERSIZE SPLIT BAND ZINC PLTD (40x5 M12)
1754	240mm OD OVERSIZE SPLIT BAND ZINC PLTD
1758	250mm OD OVERSIZE SPLIT BAND ZINC PLTD (40x5 M12)
1760	252mm OD OVERSIZE SPLIT BAND ZINC PLTD (40x5 M12)
1762	260mm OD OVERSIZE SPLIT BAND ZINC PLTD (40x5 M12)
1768	270mm OD OVERSIZE SPLIT BAND ZINC PLTD
1772	250NB (275 OD) SPLIT BAND FOR STL PIPE ZINC PLTD (40x5 M12)
1780	289mm OD OVERSIZE SPLIT BAND ZINC PLTD (40x5 M12)
1784	302mm OD OVERSIZE SPLIT BAND ZINC PLTD (40x5 M12)
1792	300NB (325 OD) SPLIT BAND FOR STL PIPE ZINC PLTD (40x5 M12)



SADDLE CLAMP FOR STL PIPE ZINC PLTD

1820	15NB (21 OD) SADDLE CLAMP FOR STL PIPE ZINC PLTD
1822	25NB (34 OD) SADDLE CLAMP FOR STL PIPE ZINC PLTD
1824	40NB (48 OD) SADDLE CLAMP FOR STL PIPE ZINC PLTD
1825	50NB (60 OD) SADDLE CLAMP FOR STL PIPE ZINC PLTD
1827	80NB (89 OD) SADDLE CLAMP FOR STL PIPE ZINC PLTD
1828	100NB (114 OD) SADDLE CLAMP FOR STL PIPE ZINC PLTD
1829	125NB (140 OD) SADDLE CLAMP FOR STL PIPE ZINC PLTD

PRODUCT DESCRIPTION
CODE



ZINC PLATED U-BOLT

1850	15 (M6 THREAD) ZINC PLATED U-BOLT
1851	20 (M6 THREAD) ZINC PLATED U-BOLT
1852	25 (M6 THREAD) ZINC PLATED U-BOLT
1853	32 (M10 THREAD) ZINC PLATED U-BOLT
1854	40 (M10 THREAD) ZINC PLATED U-BOLT
1855	50 (M10 THREAD) ZINC PLATED U-BOLT
1856	65 (M10 THREAD) ZINC PLATED U-BOLT
1857	80 (M12 THREAD) ZINC PLATED U-BOLT
1858	100 (M12 THREAD) ZINC PLATED U-BOLT
1859	125 (M12 THREAD) ZINC PLATED U-BOLT
1860	150 (M12 THREAD) ZINC PLATED U-BOLT
1861	200 (M16 THREAD) ZINC PLATED U-BOLT
1862	250 (M16 THREAD) ZINC PLATED U-BOLT
1863	300 (M16 THREAD) ZINC PLATED U-BOLT
1881	32 (M10 THREAD) ZINC PLATED EXTENDED U-BOLT
1882	40 (M10 THREAD) ZINC PLATED EXTENDED U-BOLT
1883	50 (M10 THREAD) ZINC PLATED EXTENDED U-BOLT
1884	65 (M10 THREAD) ZINC PLATED EXTENDED U-BOLT
1885	80 (M12 THREAD) ZINC PLATED EXTENDED U-BOLT
1886	100 (M12 THREAD) ZINC PLATED EXTENDED U-BOLT
1887	125 (M12 THREAD) ZINC PLATED EXTENDED U-BOLT
1888	150 (M12 THREAD) ZINC PLATED EXTENDED U-BOLT



SUREFIX UNLINED CLIP

2008	38-42mm UNLINED FASTFIX CLAMP M10 TAPPING
2012	54mm SUREFIX UNLINED CLIP (54-58) M8/M10 DUAL TAPPING
2014	62-68mm UNLINED FASTFIX CLAMP M10 TAPPING
2018	79-85mm UNLINED FASTFIX CLAMP M10 TAPPING
2020	85-89mm UNLINED FASTFIX CLAMP M10 TAPPING
2024	100-105mm UNLINED FASTFIX CLAMP M10 TAPPING
2028	110-118mm UNLINED FASTFIX CLAMP M10 TAPPING
2030	116-125mm SUREFIX UNLINED CLIP M8/M10 DUAL TAPPING
2034	129-141mm SUREFIX UNLINED CLIP M8/M10 DUAL TAPPING
2036	139-144mm UNLINED FASTFIX CLAMP M10 TAPPING
2038	146-151mm UNLINED FASTFIX CLAMP M10 TAPPING
2040	155mm UNLINED FASTFIX CLAMP M10 TAPPING
2044	166-177mm SUREFIX UNLINED CLIP M8/M10 DUAL TAPPING
2046	173-183mm UNLINED QUICK LOCK CLAMP M10 TAPPING (3023180)
2048	180-190mm UNLINED QUICK LOCK CLAMP M10 TAPPING (3023190)
2052	212-219mm UNLINED QUICK LOCK CLAMP M10 TAPPING (3023219)
2132	212-219mm UNLINED FASTFIX CLAMP M10 TAPPING
2160	15-17mm UNLINED 2-SCREW CLAMP M8/M10 DUAL TAPPING
2161	1/2" SUREFIX UNLINED CLIP (19-23) M8/M10 DUAL TAPPING
2162	3/4" SUREFIX UNLINED CLIP (26-30) M8/M10 DUAL TAPPING
2163	1" SUREFIX UNLINED CLIP (32-35) M8/M10 DUAL TAPPING
2164	1.1/4" SUREFIX UNLINED CLIP (39-43) M8/M10 DUAL TAPPING
2165	1.1/2" SUREFIX UNLINED CLIP (45-51) M8/M10 DUAL TAPPING
2166	2" SUREFIX UNLINED CLIP (60-65) M8/M10 DUAL TAPPING
2167	67-71mm SUREFIX UNLINED CLIP M8/M10 DUAL TAPPING
2168	2.1/2" SUREFIX UNLINED CLIP (74-82) M8/M10 DUAL TAPPING
2169	75mm SUREFIX UNLINED CLIP (82-89) M8/M10 DUAL TAPPING
2170	3" SUREFIX UNLINED CLIP (91-98) M8/M10 DUAL TAPPING
2172	93-101mm SUREFIX UNLINED CLIP M8/M10 DUAL TAPPING
2173	102-109mm SUREFIX UNLINED CLIP M8/M DUAL TAPPING

PRODUCT DESCRIPTION
CODE

2174	4" SUREFIX UNLINED CLIP (109-117) M8/M10 DUAL TAPPING
2175	5" SUREFIX UNLINED CLIP (136-146) M8/M10 DUAL TAPPING
2176	6" SUREFIX UNLINED CLIP (158-169) M8/M10 DUAL TAPPING
2177	122-127mm UNLINED 2-SCREW CLAMP M8/M10 DUAL TAPPING
2178	142-154mm SUREFIX UNLINED CLIP M8/M10 DUAL TAPPING
2179	155mm UNLINED 2-SCREW CLAMP M10 TAPPING



SUREFIX XL RUBBER LINED CLIP

2102	15cu SUREFIX XL RUBBER LINED CLIP (1/4" 13-20) M8/M10 DUAL TAPPING
2104	22cu SUREFIX XL RUBBER LINED CLIP (1/2" 21-26) M8/M10 DUAL TAPPING
2106	28cu SUREFIX XL RUBBER LINED CLIP (3/4" 26-30) M8/M10 DUAL TAPPING
2108	35cu SUREFIX XL RUBBER LINED CLIP (1" 33-37) M8/M10 DUAL TAPPING
2110	42cu SUREFIX XL RUBBER LINED CLIP (1.1/4" 40-46) M8/M10 DUAL TAPPING
2112	44-49mm BLACK RUBBER LINED 2-SCREW CLAMP M8/M10 DUAL TAPPING
2114	1.1/2" SUREFIX XL RUBBER LINED CLIP (1.1/2" 48-53) M8/M10 DUAL TAPPING
2116	54cu SUREFIX XL RUBBER LINED CLIP (53-59) M8/M10 DUAL TAPPING
2118	2" SUREFIX XL RUBBER LINED CLIP (2" 60-66) M8/M10 DUAL TAPPING
2119	67cu SUREFIX XL RUBBER LINED CLIP (67-77) M8/M10 DUAL TAPPING
2120	76cu SUREFIX XL RUBBER LINED CLIP (2.1/2" 75-84) M8/M10 DUAL TAPPING
2122	3" SUREFIX XL RUBBER LINED CLIP (83-93) M8/M10 DUAL TAPPING
2124	4" SUREFIX XL RUBBER LINED CLIP (4" 109-119) M8/M10 DUAL TAPPING
2126	133cu SUREFIX XL RUBBER LINED CLIP (128-139) M8/M10 DUAL TAPPING
2128	5" SUREFIX XL RUBBER LINED CLIP (135-148) M8/M10 DUAL TAPPING
2130	6" SUREFIX XL RUBBER LINED CLIP (158-170) M8/M10 DUAL TAPPING

SADDLE CLAMP

2254	28 SADDLE CLAMP FOR COPPER PIPE NYLON COATED
2258	42 SADDLE CLAMP FOR COPPER PIPE NYLON COATED



FILBOW CLAMP

2302	25 FILBOW CLAMP FM APPROVED
2303	32 FILBOW CLAMP FM APPROVED
2304	40 FILBOW CLAMP FM APPROVED
2305	50 FILBOW CLAMP FM APPROVED
2307	80 FILBOW CLAMP FM APPROVED
2308	100 FILBOW CLAMP FM APPROVED
2310	150 FILBOW CLAMP FM APPROVED



ASHWORTH
PEOPLE - PRODUCTS - SERVICE

If you do not see what you want then please ask one of our team

Bristol: 0117 961 7000

Coatbridge: 01698 535 930

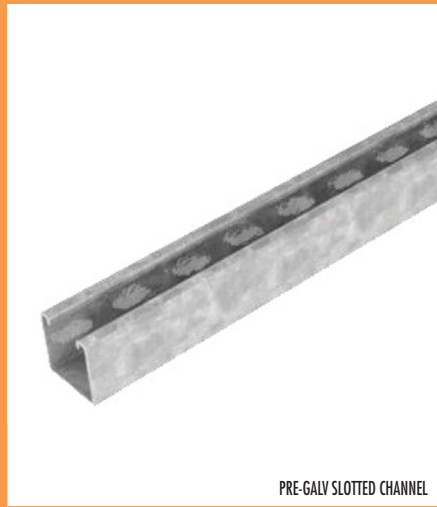
Manchester: 0161 967 0400

Rochester: 01634 566 860

CHANNEL

All product codes are prefixed 1960

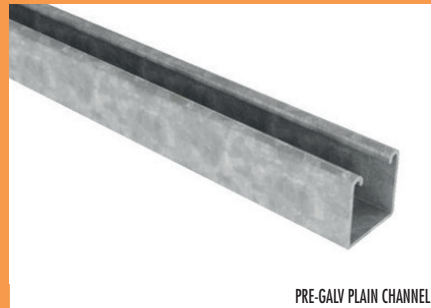
PRODUCT DESCRIPTION
CODE



PRE-GALV SLOTTED CHANNEL

0000	21x41 A21S6 PRE-GALV SLOTTED CHANNEL 6Mtr LENGTH x 2.5mm THICK
0001	21x41 A21S3 PRE-GALV SLOTTED CHANNEL 3Mtr LENGTH x 2.5mm THICK
0002	21x41 A21S2 PRE-GALV SLOTTED CHANNEL 2Mtr LENGTH x 2.5mm THICK
0006	21x41 A21LS3 LIGHT PRE-GALV SLOTTED CHANNEL 3Mtr LENGTH x 1.5mm THICK
0010	41x41 A41S6 PRE-GALV SLOTTED CHANNEL 6Mtr LENGTH x 2.5mm THICK
0011	41x41 A41S3 PRE-GALV SLOTTED CHANNEL 3Mtr LENGTH x 2.5mm THICK
0015	41x41 A41LS6 LIGHT PRE-GALV SLOTTED CHANNEL 6Mtr LENGTH x 1.5mm THICK
0016	41x41 A41LS3 LIGHT PRE-GALV SLOTTED CHANNEL 3Mtr LENGTH x 1.5mm THICK

PRODUCT DESCRIPTION
CODE



PRE-GALV PLAIN CHANNEL

0040	21x41 A21P6 PRE-GALV PLAIN CHANNEL 6Mtr LENGTH x 2.5mm THICK
0060	41x41 A41P6 PRE-GALV PLAIN CHANNEL 6Mtr LENGTH x 2.5mm THICK
0061	41x41 A41P3 PRE-GALV PLAIN CHANNEL 3Mtr LENGTH x 2.5mm THICK



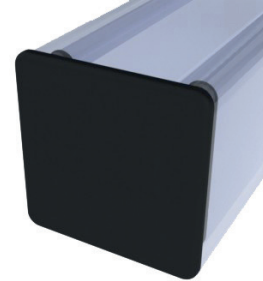
PRE-GALV SLOTTED BACKTOBACK CHANNEL

0074	41x41 A41B2BS6 PRE-GALV SLOT BACKTOBACK CHANNEL 6Mtr LEN x 2.5mm THICK
0075	41x41 A41B2BS3 PRE-GALV SLOT BACKTOBACK CHANNEL 3Mtr LEN x 2.5mm THICK
0080	41x41 A41B2BP6 PREGALV PLAIN BACKTOBACK CHANNEL 6Mtr LEN x 2.5mm THICK

PRODUCT DESCRIPTION
CODE

CLOSURE STRIP

0090	PVC CLOSURE STRIP FOR CHANNEL IN 3 Mtr LENGTHS
------	--



CHANNEL END CAP - BLACK

3265	41 A325 CHANNEL END CAP - BLACK
3266	21 A325 CHANNEL END CAP - BLACK



PLASTIC END CAP FOR STUDDING

3267	M10 PLASTIC END CAP FOR STUDDING
3268	M12 PLASTIC END CAP FOR STUDDING
3269	M16 PLASTIC END CAP FOR STUDDING

CHANNEL

PLASTIC FITTINGS

All product codes are prefixed 1960



PRODUCT DESCRIPTION
CODE

PUSH-IN PLASTIC CLIP

6440	15 A651 PUSH-IN PLASTIC CLIP
6441	22 A651 PUSH-IN PLASTIC CLIP
6442	28 A651 PUSH-IN PLASTIC CLIP

WRAP OVER PLASTIC CLIP

6480	15 A653 WRAP OVER PLASTIC CLIP
6481	22 A653 WRAP OVER PLASTIC CLIP
6482	28 A653 WRAP OVER PLASTIC CLIP

NAIL-IN PLASTIC CLIP

6500	15 A654 NAIL-IN PLASTIC CLIP
6501	22 A654 NAIL-IN PLASTIC CLIP
6502	28 A654 NAIL-IN PLASTIC CLIP

SNAP-OVER PLASTIC CLIP

6520	15 A655 SNAP-OVER PLASTIC CLIP
6521	22 A655 SNAP-OVER PLASTIC CLIP
6522	28 A655 SNAP-OVER PLASTIC CLIP

DOUBLE SNAP-OVER PLASTIC CLIP

6540	15 A656 DOUBLE SNAP-OVER PLASTIC CLIP
6541	22 A656 DOUBLE SNAP-OVER PLASTIC CLIP
6542	28 A656 DOUBLE SNAP-OVER PLASTIC CLIP

PLASTIC FITTINGS

If you do not see what you want then please ask one of our team

Bristol: 0117 961 7000

Coatbridge: 01698 535 930

Manchester: 0161 967 0400

Rochester: 01634 566 860

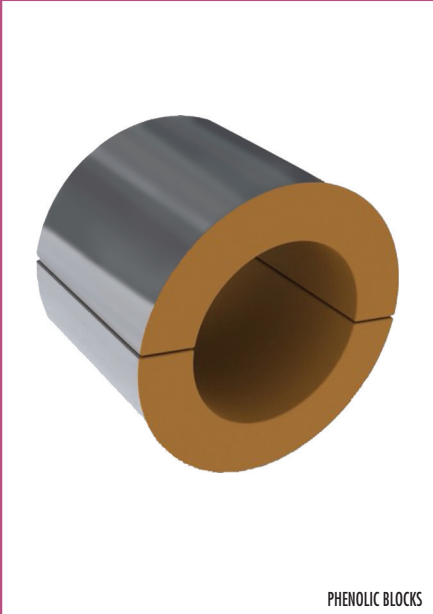


ASHWORTH
PEOPLE - PRODUCTS - SERVICE

INSULATING BLOCKS

All product codes are prefixed 1960

PRODUCT DESCRIPTION
CODE



PHENOLIC BLOCKS

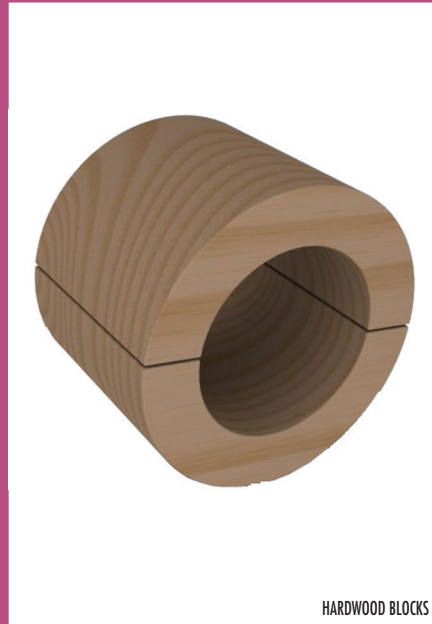
4000	15C PHENOLIC BLOCKS 15mm THICK
4001	15S/22C PHENOLIC BLOCKS 15mm THICK
4002	20S/28C PHENOLIC BLOCKS 15mm THICK
4003	25S/35C PHENOLIC BLOCKS 15mm THICK
4004	32S/42C PHENOLIC BLOCKS 15mm THICK
4005	40S PHENOLIC BLOCKS 15mm THICK
4006	50S PHENOLIC BLOCKS 15mm THICK
4007	54C PHENOLIC BLOCKS 15mm THICK
4008	67C PHENOLIC BLOCKS 15mm THICK
4010	80S PHENOLIC BLOCKS 15mm THICK
4012	108C PHENOLIC BLOCKS 15mm THICK
4016	15C PHENOLIC BLOCKS 20mm THICK
4017	15S/22C PHENOLIC BLOCKS 20mm THICK
4018	20S/28C PHENOLIC BLOCKS 20mm THICK
4019	25S/35C PHENOLIC BLOCKS 20mm THICK
4020	32S/42C PHENOLIC BLOCKS 20mm THICK
4021	40S PHENOLIC BLOCKS 20mm THICK
4022	50S PHENOLIC BLOCKS 20mm THICK
4023	54C PHENOLIC BLOCKS 20mm THICK
4024	67C PHENOLIC BLOCKS 20mm THICK
4025	65S/76C PHENOLIC BLOCKS 20mm THICK
4028	108C PHENOLIC BLOCKS 20mm THICK
4029	125S PHENOLIC BLOCKS 20mm THICK
4032	15C PHENOLIC BLOCKS 25mm THICK
4033	15S/22C PHENOLIC BLOCKS 25mm THICK
4034	20S/28C PHENOLIC BLOCKS 25mm THICK
4035	25S/35C PHENOLIC BLOCKS 25mm THICK
4036	32S/42C PHENOLIC BLOCKS 25mm THICK
4037	40S PHENOLIC BLOCKS 25mm THICK
4038	50S PHENOLIC BLOCKS 25mm THICK
4039	54C PHENOLIC BLOCKS 25mm THICK
4040	67C PHENOLIC BLOCKS 25mm THICK
4041	65S/76C PHENOLIC BLOCKS 25mm THICK
4042	80S PHENOLIC BLOCKS 25mm THICK
4043	100S PHENOLIC BLOCKS 25mm THICK
4044	108C PHENOLIC BLOCKS 25mm THICK
4045	125S PHENOLIC BLOCKS 25mm THICK
4046	150S PHENOLIC BLOCKS 25mm THICK
4047	159C PHENOLIC BLOCKS 25mm THICK
4048	15C PHENOLIC BLOCKS 30mm THICK
4049	15S/22C PHENOLIC BLOCKS 30mm THICK
4050	20S/28C PHENOLIC BLOCKS 30mm THICK
4051	25S/35C PHENOLIC BLOCKS 30mm THICK
4052	32S/42C PHENOLIC BLOCKS 30mm THICK
4053	40S PHENOLIC BLOCKS 30mm THICK
4054	50S PHENOLIC BLOCKS 30mm THICK
4055	54C PHENOLIC BLOCKS 30mm THICK
4056	67C PHENOLIC BLOCKS 30mm THICK
4057	65S/76C PHENOLIC BLOCKS 30mm THICK
4058	80S PHENOLIC BLOCKS 30mm THICK

PRODUCT DESCRIPTION
CODE

4059	100S PHENOLIC BLOCKS 30mm THICK
4060	108C PHENOLIC BLOCKS 30mm THICK
4061	125S PHENOLIC BLOCKS 30mm THICK
4062	150S PHENOLIC BLOCKS 30mm THICK
4064	15C PHENOLIC BLOCKS 40mm THICK
4065	15S/22C PHENOLIC BLOCKS 40mm THICK
4066	20S/28C PHENOLIC BLOCKS 40mm THICK
4067	25S/35C PHENOLIC BLOCKS 40mm THICK
4068	32S/42C PHENOLIC BLOCKS 40mm THICK
4069	40S PHENOLIC BLOCKS 40mm THICK
4070	50S PHENOLIC BLOCKS 40mm THICK
4071	54C PHENOLIC BLOCKS 40mm THICK
4073	65S/76C PHENOLIC BLOCKS 40mm THICK
4074	80S PHENOLIC BLOCKS 40mm THICK
4075	100S PHENOLIC BLOCKS 40mm THICK
4078	150S PHENOLIC BLOCKS 40mm THICK
4080	15C PHENOLIC BLOCKS 50mm THICK
4081	15S/22C PHENOLIC BLOCKS 50mm THICK
4082	20S/28C PHENOLIC BLOCKS 50mm THICK
4083	25S/35C PHENOLIC BLOCKS 50mm THICK
4084	32S/42C PHENOLIC BLOCKS 50mm THICK
4085	40S PHENOLIC BLOCKS 50mm THICK
4086	50S PHENOLIC BLOCKS 50mm THICK
4087	54C PHENOLIC BLOCKS 50mm THICK
4089	65S/76C PHENOLIC BLOCKS 50mm THICK
4090	80S PHENOLIC BLOCKS 50mm THICK
4091	100S PHENOLIC BLOCKS 50mm THICK
4092	108C PHENOLIC BLOCKS 50mm THICK
4093	125S PHENOLIC BLOCKS 50mm THICK
4094	150S PHENOLIC BLOCKS 50mm THICK
4095	159C PHENOLIC BLOCKS 50mm THICK

PRODUCT DESCRIPTION
CODE

4218	20S/28C HARDWOOD BLOCKS 20mm THICK
4219	25S/35C HARDWOOD BLOCKS 20mm THICK
4220	32S/42C HARDWOOD BLOCKS 20mm THICK
4221	40S HARDWOOD BLOCKS 20mm THICK
4222	50S HARDWOOD BLOCKS 20mm THICK
4223	54C HARDWOOD BLOCKS 20mm THICK
4224	67C HARDWOOD BLOCKS 20mm THICK
4225	65S/76C HARDWOOD BLOCKS 20mm THICK
4226	80S HARDWOOD BLOCKS 20mm THICK
4227	100S HARDWOOD BLOCKS 20mm THICK
4228	108C HARDWOOD BLOCKS 20mm THICK
4229	125S HARDWOOD BLOCKS 20mm THICK
4230	150S HARDWOOD BLOCKS 20mm THICK
4231	159C HARDWOOD BLOCKS 20mm THICK
4232	15C HARDWOOD BLOCKS 25mm THICK
4233	15S/22C HARDWOOD BLOCKS 25mm THICK
4234	20S/28C HARDWOOD BLOCKS 25mm THICK
4235	25S/35C HARDWOOD BLOCKS 25mm THICK
4236	32S/42C HARDWOOD BLOCKS 25mm THICK
4237	40S HARDWOOD BLOCKS 25mm THICK
4238	50S HARDWOOD BLOCKS 25mm THICK
4239	54C HARDWOOD BLOCKS 25mm THICK
4240	67C HARDWOOD BLOCKS 25mm THICK
4241	65S/76C HARDWOOD BLOCKS 25mm THICK
4242	80S HARDWOOD BLOCKS 25mm THICK
4243	100S HARDWOOD BLOCKS 25mm THICK
4244	108C HARDWOOD BLOCKS 25mm THICK
4245	125S HARDWOOD BLOCKS 25mm THICK
4246	150S HARDWOOD BLOCKS 25mm THICK
4247	159C HARDWOOD BLOCKS 25mm THICK
4248	15C HARDWOOD BLOCKS 30mm THICK
4249	15S/22C HARDWOOD BLOCKS 30mm THICK
4250	20S/28C HARDWOOD BLOCKS 30mm THICK
4251	25S/35C HARDWOOD BLOCKS 30mm THICK
4252	32S/42C HARDWOOD BLOCKS 30mm THICK
4253	40S HARDWOOD BLOCKS 30mm THICK
4254	50S HARDWOOD BLOCKS 30mm THICK
4255	54C HARDWOOD BLOCKS 30mm THICK
4256	67C HARDWOOD BLOCKS 30mm THICK
4257	65S/76C HARDWOOD BLOCKS 30mm THICK
4258	80S HARDWOOD BLOCKS 30mm THICK
4259	100S HARDWOOD BLOCKS 30mm THICK
4260	108C HARDWOOD BLOCKS 30mm THICK
4261	125S HARDWOOD BLOCKS 30mm THICK
4262	150S HARDWOOD BLOCKS 30mm THICK
4263	159C HARDWOOD BLOCKS 30mm THICK
4264	15C HARDWOOD BLOCKS 40mm THICK
4265	15S/22C HARDWOOD BLOCKS 40mm THICK
4266	20S/28C HARDWOOD BLOCKS 40mm THICK
4267	25S/35C HARDWOOD BLOCKS 40mm THICK
4268	32S/42C HARDWOOD BLOCKS 40mm THICK
4269	40S HARDWOOD BLOCKS 40mm THICK
4270	50S HARDWOOD BLOCKS 40mm THICK
4271	54C HARDWOOD BLOCKS 40mm THICK
4272	67C HARDWOOD BLOCKS 40mm THICK
4273	65S/76C HARDWOOD BLOCKS 40mm THICK
4274	80S HARDWOOD BLOCKS 40mm THICK
4275	100S HARDWOOD BLOCKS 40mm THICK
4276	108C HARDWOOD BLOCKS 40mm THICK
4277	125S HARDWOOD BLOCKS 40mm THICK
4278	150S HARDWOOD BLOCKS 40mm THICK
4279	159C HARDWOOD BLOCKS 40mm THICK
4280	15C HARDWOOD BLOCKS 50mm THICK
4281	15S/22C HARDWOOD BLOCKS 50mm THICK
4282	20S/28C HARDWOOD BLOCKS 50mm THICK
4283	25S/35C HARDWOOD BLOCKS 50mm THICK
4284	32S/42C HARDWOOD BLOCKS 50mm THICK
4285	40S HARDWOOD BLOCKS 50mm THICK
4286	50S HARDWOOD BLOCKS 50mm THICK
4287	54C HARDWOOD BLOCKS 50mm THICK
4288	67C HARDWOOD BLOCKS 50mm THICK
4289	65S/76C HARDWOOD BLOCKS 50mm THICK
4290	80S HARDWOOD BLOCKS 50mm THICK
4291	100S HARDWOOD BLOCKS 50mm THICK
4292	108C HARDWOOD BLOCKS 50mm THICK
4293	125S HARDWOOD BLOCKS 50mm THICK
4294	150S HARDWOOD BLOCKS 50mm THICK
4295	159C HARDWOOD BLOCKS 50mm THICK



HARDWOOD BLOCKS

4200	15C HARDWOOD BLOCKS 15mm THICK
4201	15S/22C HARDWOOD BLOCKS 15mm THICK
4202	20S/28C HARDWOOD BLOCKS 15mm THICK
4203	25S/35C HARDWOOD BLOCKS 15mm THICK
4204	32S/42C HARDWOOD BLOCKS 15mm THICK
4205	40S HARDWOOD BLOCKS 15mm THICK
4206	50S HARDWOOD BLOCKS 15mm THICK
4207	54C HARDWOOD BLOCKS 15mm THICK
4208	67C HARDWOOD BLOCKS 15mm THICK
4209	65S/76C HARDWOOD BLOCKS 15mm THICK
4210	80S HARDWOOD BLOCKS 15mm THICK
4211	100S HARDWOOD BLOCKS 15mm THICK
4212	108C HARDWOOD BLOCKS 15mm THICK
4213	125S HARDWOOD BLOCKS 15mm THICK
4214	150S HARDWOOD BLOCKS 15mm THICK
4215	159C HARDWOOD BLOCKS 15mm THICK
4216	15C HARDWOOD BLOCKS 20mm THICK
4217	15S/22C HARDWOOD BLOCKS 20mm THICK

INSULATING BLOCKS



ASHWORTH
PEOPLE - PRODUCTS - SERVICE

If you do not see what you want then please ask one of our team

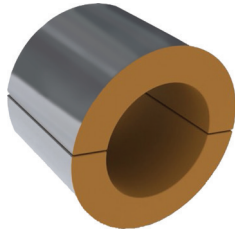
Bristol: 0117 961 7000

Coatbridge: 01698 535 930

Manchester: 0161 967 0400

Rochester: 01634 566 860

INSULATING BLOCKS



PHENOLIC



WOOD



UNLINED CLIP



SPLIT BAND

STEEL (NB)	COPPER (OD)	PHENOLIC BLOCK THICKNESS						
SIZE	SIZE		15mm	20mm	25mm	30mm	40mm	50mm
	15mm	Phenolic Block	19604000	19604016	19604032	19604048	19604064	19604080
		Unlined Clip	19602162	19602012	19602167	19602168	19602170	19602174
15mm	22mm	Phenolic Block	19604001	19604017	19604033	19604049	19604065	19604081
		Unlined Clip	19602012	19602166	19602168	19602168	19602173	19602030
20mm	28mm	Phenolic Block	19604002	19604018	19604034	19604050	19604066	19604082
		Unlined Clip	19602166	19602167	19602168	19602169	19602173	19602034
25mm	35mm	Phenolic Block	19604003	19604019	19604035	19604051	19604067	19604083
		Unlined Clip	19602167	19602168	19602169	19602172	19602174	19602034
32mm	42mm	Phenolic Block	19604004	19604020	19604036	19604052	19604068	19604084
		Unlined Clip	19602168	19602169	19602170	19602173	19602030	19602175
40mm		Phenolic Block	19604005	19604021	19604037	19604053	19604069	19604085
		Unlined Clip	19602168	19602170	19602173	19602174	19602034	19602178
50mm		Phenolic Block	19604006	19604022	19604038	19604054	19604070	19604086
		Unlined Clip	19602170	19602173	19602174	19602030	19602178	19602176
	54mm	Phenolic Block	19604007	19604023	19604039	19604055	19604071	19604087
		Unlined Clip	19602169	19602170	19602173	19602174	19602034	19602178
	67mm	Phenolic Block	19604008	19604024	19604040	19604056	19604072	19604088
		Unlined Clip	19602172	19602174	19602030	19602034	19602178	19602176
65mm	76mm	Phenolic Block	19604009	19604025	19604041	19604057	19604073	19604089
		Unlined Clip	19602174	19602030	19602034	19602034	19602176	19602044
80mm		Phenolic Block	19604010	19604026	19604042	19604058	19604074	19604090
		Unlined Clip	19602030	19602034	19602175	19602178	19602044	19602048
100mm		Phenolic Block	19604011	19604027	19604043	19604059	19604075	19604091
		Unlined Clip	19602175	19602176	19602044	19602046	19602048	*
		Split Band	*	*	*	19601716	19601728	19601742
	108mm	Phenolic Block	19604012	19604028	19604044	19604060	19604076	19604092
		Unlined Clip	19602175	19602178	19602176	19602044	19602048	*
		Split Band	*	*	*	*	19601723	19601738
125mm		Phenolic Block	19604013	19604029	19604045	19604061	19604077	19604093
		Unlined Clip	19602042	19602046	19602048	19602050	19602052	*
		Split Band	19601716	19601719	19601728	19601730	19601744	19601754
150mm		Phenolic Block	19604014	19604030	19604046	19604062	19604078	19604094
		Unlined Clip	19602050	19602052	19602052	*	*	*
		Split Band	19601730	19601737	19601744	19601748	19601768	19601768
	159mm	Phenolic Block	*	19604031	19604047	19604063	19604079	19604095
		Unlined Clip	*	19602048	19602052	19602052	*	*
		Split Band	*	19601730	19601737	19601744	19601754	19601768

INSULATING BLOCKS

E&OE

If you do not see what you want then please ask one of our team

Bristol: 0117 961 7000

Coatbridge: 01698 535 930

Manchester: 0161 967 0400

Rochester: 01634 566 860



ASHWORTH
PEOPLE - PRODUCTS - SERVICE

GENERAL FASTENERS

All product codes are prefixed 1960

GENERAL FASTENERS

PRODUCT DESCRIPTION
CODE



HEXAGON NUT ZINC PLATED

- 0680 M6 HEXAGON NUT ZINC PLATED
- 0681 M8 HEXAGON NUT ZINC PLATED
- 0682 M10 HEXAGON NUT ZINC PLATED
- 0683 M12 HEXAGON NUT ZINC PLATED
- 0684 M16 HEXAGON NUT ZINC PLATED
- 0685 M20 HEXAGON NUT ZINC PLATED
- 0686 M24 HEXAGON NUT ZINC PLATED
- 0687 M27 HEXAGON NUT ZINC PLATED



SERRATED FLANGE NUT ZINC PLATED

- 0702 M10 SERRATED FLANGE NUT ZINC PLATED
- 0703 M12 SERRATED FLANGE NUT ZINC PLATED



FLAT WASHER ZINC PLATED

- 0720 M6 FLAT WASHER ZINC PLATED
- 0721 M8 FLAT WASHER ZINC PLATED
- 0722 M10 FLAT WASHER ZINC PLATED
- 0723 M12 FLAT WASHER ZINC PLATED
- 0724 M16 FLAT WASHER ZINC PLATED
- 0725 M20 FLAT WASHER ZINC PLATED
- 0726 M24 FLAT WASHER ZINC PLATED
- 0727 M27 FLAT WASHER ZINC PLATED



SPRING WASHER ZINC PLATED

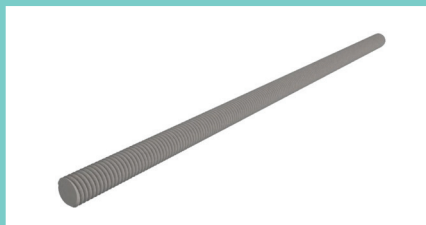
- 0742 M10 SPRING WASHER ZINC PLATED



PENNY WASHER ZINC PLATED

- 0754 M6x25 PENNY WASHER ZINC PLATED
- 0756 M8x25 PENNY WASHER ZINC PLATED
- 0758 M10x25 PENNY WASHER ZINC PLATED
- 0759 M10x30 PENNY WASHER ZINC PLATED
- 0760 M10x40 PENNY WASHER ZINC PLATED
- 0765 M12x40 PENNY WASHER ZINC PLATED

PRODUCT DESCRIPTION
CODE



SCREWED ROD ZINC PLATED

- 0800 M6x1 Mtr SCREWED ROD ZINC PLATED
- 0802 M10x1 Mtr SCREWED ROD ZINC PLATED
- 0803 M12x1 Mtr SCREWED ROD ZINC PLATED
- 0804 M16x1 Mtr SCREWED ROD ZINC PLATED
- 0805 M20x1 Mtr SCREWED ROD ZINC PLATED
- 0806 M24x1 Mtr SCREWED ROD ZINC PLATED
- 0820 M6x3 Mtr SCREWED ROD ZINC PLATED
- 0821 M8x3 Mtr SCREWED ROD ZINC PLATED
- 0822 M10x3 Mtr SCREWED ROD ZINC PLATED
- 0823 M12x3 Mtr SCREWED ROD ZINC PLATED
- 0824 M16x3 Mtr SCREWED ROD ZINC PLATED
- 0825 M20x3 Mtr SCREWED ROD ZINC PLATED
- 0841 M10x25 THREADED STUD ZINC PLATED
- 0842 M10x50 THREADED STUD ZINC PLATED
- 0843 M10x40 THREADED STUD ZINC PLATED
- 0844 M10x60 THREADED STUD ZINC PLATED
- 0845 M10x80 THREADED STUD ZINC PLATED
- 0846 M10x100 THREADED STUD ZINC PLATED
- 0847 M10x120 THREADED STUD ZINC PLATED
- 0848 M10x150 THREADED STUD ZINC PLATED
- 0849 M10x200 THREADED STUD ZINC PLATED
- 0854 M12x60 THREADED STUD ZINC PLATED



ROD CONNECTOR ZINC PLATED

- 0860 M6 ROD CONNECTOR ZINC PLATED
- 0861 M8 ROD CONNECTOR ZINC PLATED
- 0862 M10 ROD CONNECTOR ZINC PLATED
- 0863 M12 ROD CONNECTOR ZINC PLATED
- 0864 M16 ROD CONNECTOR ZINC PLATED



REDUCING ROD CONNECTOR ZINC PLATED

- 0888 M12x10 (MxF) REDUCING ROD CONNECTOR ZINC PLATED



MALE ROD ADAPTOR ZINC PLATED

- 0910 M8 FEM x M10 MALE ROD ADAPTOR ZINC PLATED
- 0918 M10 FEM x M8 MALE ROD ADAPTOR ZINC PLATED
- 0922 M10 FEM x M12 MALE ROD ADAPTOR ZINC PLATED
- 0930 M12 FEM x M10 MALE ROD ADAPTOR ZINC PLATED

PRODUCT DESCRIPTION
CODE



EYE BOLT ZINC PLATED

- 0960 M10x80 EYE BOLT ZINC PLATED
- 0964 M10x100 EYE BOLT ZINC PLATED
- 0972 M10x200 EYE BOLT ZINC PLATED
- 0980 M10x300 EYE BOLT ZINC PLATED
- 0984 M12x80 EYE BOLT ZINC PLATED
- 0988 M12x100 EYE BOLT ZINC PLATED
- 0992 M12x150 EYE BOLT ZINC PLATED
- 0996 M12x200 EYE BOLT ZINC PLATED



DROP IN CONCRETE ANCHOR

- 1020 M6 DROP IN CONCRETE ANCHOR
- 1021 M8 DROP IN CONCRETE ANCHOR
- 1022 M10 DROP IN CONCRETE ANCHOR
- 1023 M12 DROP IN CONCRETE ANCHOR
- 1024 M16 DROP IN CONCRETE ANCHOR
- 1026 M8/M10 SCREW IN CONCRETE ANCHOR (6x55)



PLAIN CHANNEL NUT

- 0200 M6 PLAIN CHANNEL NUT
- 0201 M8 PLAIN CHANNEL NUT
- 0202 M10 PLAIN CHANNEL NUT
- 0203 M12 PLAIN CHANNEL NUT



SHORT SPRING CHANNEL NUT

- 0220 M6 SHORT SPRING CHANNEL NUT
- 0222 M10 SHORT SPRING CHANNEL NUT
- 0223 M12 SHORT SPRING CHANNEL NUT



LONG SPRING CHANNEL NUT

- 0240 M6 LONG SPRING CHANNEL NUT
- 0241 M8 LONG SPRING CHANNEL NUT
- 0242 M10 LONG SPRING CHANNEL NUT
- 0243 M12 LONG SPRING CHANNEL NUT



ASHWORTH
PEOPLE - PRODUCTS - SERVICE

If you do not see what you want then please ask one of our team

Bristol: 0117 961 7000

Coatbridge: 01698 535 930

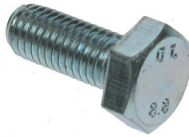
Manchester: 0161 967 0400

Rochester: 01634 566 860

GENERAL FASTENERS

All product codes are prefixed 1960

PRODUCT DESCRIPTION
CODE



HEX HEAD SET SCREW HIGH TENSILE 8.8 ZINC PLATED

0280	M10x20 HEX HEAD SET SCREW HIGH TENSILE 8.8 ZINC PLATED
0281	M10x25 HEX HEAD SET SCREW HIGH TENSILE 8.8 ZINC PLATED
0282	M10x30 HEX HEAD SET SCREW HIGH TENSILE 8.8 ZINC PLATED
0283	M10x40 HEX HEAD SET SCREW HIGH TENSILE 8.8 ZINC PLATED
0284	M10x50 HEX HEAD SET SCREW HIGH TENSILE 8.8 ZINC PLATED
0285	M10x60 HEX HEAD SET SCREW HIGH TENSILE 8.8 ZINC PLATED
0286	M10x70 HEX HEAD SET SCREW HIGH TENSILE 8.8 ZINC PLATED
0287	M10x80 HEX HEAD SET SCREW HIGH TENSILE 8.8 ZINC PLATED
0289	M10x100 HEX HEAD SET SCREW HIGH TENSILE 8.8 ZINC PLATED
0291	M10x45 HEX HEAD SET SCREW HIGH TENSILE 8.8 ZINC PLATED
0300	M12x25 HEX HEAD SET SCREW HIGH TENSILE 8.8 ZINC PLATED
0301	M12x30 HEX HEAD SET SCREW HIGH TENSILE 8.8 ZINC PLATED
0302	M12x40 HEX HEAD SET SCREW HIGH TENSILE 8.8 ZINC PLATED
0303	M12x50 HEX HEAD SET SCREW HIGH TENSILE 8.8 ZINC PLATED
0304	M12x60 HEX HEAD SET SCREW HIGH TENSILE 8.8 ZINC PLATED
0305	M12x70 HEX HEAD SET SCREW HIGH TENSILE 8.8 ZINC PLATED
0306	M12x80 HEX HEAD SET SCREW HIGH TENSILE 8.8 ZINC PLATED
0308	M12x100 HEX HEAD SET SCREW HIGH TENSILE 8.8 ZINC PLATED
0320	M16x30 HEX HEAD SET SCREW HIGH TENSILE 8.8 ZINC PLATED
0321	M16x35 HEX HEAD SET SCREW HIGH TENSILE 8.8 ZINC PLATED
0322	M16x40 HEX HEAD SET SCREW HIGH TENSILE 8.8 ZINC PLATED
0323	M16x50 HEX HEAD SET SCREW HIGH TENSILE 8.8 ZINC PLATED
0324	M16x60 HEX HEAD SET SCREW HIGH TENSILE 8.8 ZINC PLATED
0325	M16x70 HEX HEAD SET SCREW HIGH TENSILE 8.8 ZINC PLATED
0326	M16x80 HEX HEAD SET SCREW HIGH TENSILE 8.8 ZINC PLATED
0330	M16x45 HEX HEAD SET SCREW HIGH TENSILE 8.8 ZINC PLATED
0335	M20x50 HEX HEAD SET SCREW HIGH TENSILE 8.8 ZINC PLATED
0336	M20x60 HEX HEAD SET SCREW HIGH TENSILE 8.8 ZINC PLATED
0337	M20x70 HEX HEAD SET SCREW HIGH TENSILE 8.8 ZINC PLATED
0338	M20x80 HEX HEAD SET SCREW HIGH TENSILE 8.8 ZINC PLATED
0339	M20x90 HEX HEAD SET SCREW HIGH TENSILE 8.8 ZINC PLATED
0345	M20x55 HEX HEAD SET SCREW HIGH TENSILE 8.8 ZINC PLATED

HEXAGON HEAD CONE POINTED SET SCREW ZINC PLATED

0360	M10x40 HEXAGON HEAD CONE POINTED SET SCREW ZINC PLATED
------	--



HEXAGON HEAD COACH SCREW ZINC PLATED

0440	M12x50 HEXAGON HEAD COACH SCREW ZINC PLATED
------	---



HEXAGON HEAD BOLT HIGH TENSILE 8.8 ZINC PLATED

0548	M12x45 HEX HEAD ZINC BOLT ONLY - Grade 8.8 High Tensile
0549	M12x55 HEX HEAD ZINC BOLT ONLY - Grade 8.8 High Tensile
0561	M16x50 HEX HEAD ZINC BOLT ONLY - Grade 8.8 High Tensile
0562	M16x60 HEX HEAD ZINC BOLT ONLY - Grade 8.8 High Tensile
0563	M16x70 HEX HEAD ZINC BOLT ONLY - Grade 8.8 High Tensile

PRODUCT DESCRIPTION
CODE

0564	M16x80 HEX HEAD ZINC BOLT ONLY - Grade 8.8 High Tensile
0565	M16x90 HEX HEAD ZINC BOLT ONLY - Grade 8.8 High Tensile
0566	M16x100 HEX HEAD ZINC BOLT ONLY - Grade 8.8 High Tensile
0567	M16x110 HEX HEAD ZINC BOLT ONLY - Grade 8.8 High Tensile
0568	M16x120 HEX HEAD ZINC BOLT ONLY - Grade 8.8 High Tensile
0569	M16x130 HEX HEAD ZINC BOLT ONLY - Grade 8.8 High Tensile
0570	M16x140 HEXAGON HEAD BOLT HIGH TENSILE 8.8 ZINC PLATED
0571	M16x150 HEX HEAD ZINC BOLT ONLY - Grade 8.8 High Tensile
0577	M16x45 HEX HEAD ZINC BOLT ONLY - Grade 8.8 High Tensile
0580	M16x55 HEX HEAD ZINC BOLT ONLY - Grade 8.8 High Tensile
0581	M16x65 HEX HEAD ZINC BOLT ONLY - Grade 8.8 High Tensile
0582	M16x75 HEX HEAD ZINC BOLT ONLY - Grade 8.8 High Tensile
0585	M20x85 HEX HEAD ZINC BOLT ONLY - Grade 8.8 High Tensile
0587	M20x65 HEX HEAD ZINC BOLT ONLY - Grade 8.8 High Tensile
0588	M20x55 HEX HEAD ZINC BOLT ONLY - Grade 8.8 High Tensile
0589	M20x45 HEX HEAD SET SCREW HIGH TENSILE 8.8 ZINC PLATED
0590	M20x50 HEX HEAD ZINC BOLT ONLY - Grade 8.8 High Tensile
0591	M20x60 HEX HEAD ZINC BOLT ONLY - Grade 8.8 High Tensile
0592	M20x70 HEX HEAD ZINC BOLT ONLY - Grade 8.8 High Tensile
0593	M20x80 HEX HEAD ZINC BOLT ONLY - Grade 8.8 High Tensile
0594	M20x90 HEX HEAD ZINC BOLT ONLY - Grade 8.8 High Tensile
0595	M20x100 HEX HEAD ZINC BOLT ONLY - Grade 8.8 High Tensile
0596	M20x110 HEX HEAD ZINC BOLT ONLY - Grade 8.8 High Tensile
0598	M20x130 HEX HEAD ZINC BOLT ONLY - Grade 8.8 High Tensile
0599	M20x140 HEX HEAD ZINC BOLT ONLY - Grade 8.8 High Tensile
0600	M20x150 HEX HEAD ZINC BOLT ONLY - Grade 8.8 High Tensile
0602	M20x170 HEX HEAD ZINC BOLT ONLY - Grade 8.8 High Tensile
0612	M20x75 HEX HEAD ZINC BOLT ONLY - Grade 8.8 High Tensile
0620	M24x50 HEXAGON HEAD BOLT HIGH TENSILE 8.8 ZINC PLATED
0621	M24x60 HEX HEAD SET SCREW HIGH TENSILE 8.8 ZINC PLATED
0622	M24x70 HEX HEAD ZINC BOLT ONLY - Grade 8.8 High Tensile
0623	M24x80 HEX HEAD ZINC BOLT ONLY - Grade 8.8 High Tensile
0624	M24x90 HEX HEAD ZINC BOLT ONLY - Grade 8.8 High Tensile
0625	M24x100 HEX HEAD ZINC BOLT ONLY - Grade 8.8 High Tensile
0626	M24x110 HEX HEAD ZINC BOLT ONLY - Grade 8.8 High Tensile
0627	M24x120 HEX HEAD ZINC BOLT ONLY - Grade 8.8 High Tensile
0628	M24x130 HEX HEAD ZINC BOLT ONLY - Grade 8.8 High Tensile
0630	M24x150 HEXAGON HEAD BOLT HIGH TENSILE 8.8 ZINC PLATED
0635	M24x200 HEX HEAD ZINC BOLT ONLY - Grade 8.8 High Tensile
0640	M24x55 HEX HEAD SET SCREW HIGH TENSILE 8.8 ZINC PLATED
0653	M27x120 HEX HEAD ZINC BOLT ONLY - Grade 8.8 High Tensile



BOW NUT

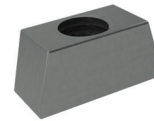
0734	M10 S/C BOW NUT
0735	M12 S/C BOW NUT



LIPPED ANCHOR

1040	M8x30 LIPPED ANCHOR
1041	M10x30 LIPPED ANCHOR
1042	M10x40 LIPPED ANCHOR
1043	M12x50 LIPPED ANCHOR

PRODUCT DESCRIPTION
CODE



WEDGE NUT

1062	M10 WEDGE NUT
------	---------------



BALL/SWIVEL HANGER

1221	M10 BALL/SWIVEL HANGER
1222	M12 BALL/SWIVEL HANGER



THREADED LINK EYE

1242	M12 THREADED LINK EYE
------	-----------------------



RAWLBOLT

1261	M8 RAWLBOLT
1262	M10 RAWLBOLT
1263	M12 RAWLBOLT
1264	M16 RAWLBOLT



THRU-BOLT

1280	M10x75 THRU-BOLT
1288	M10x120 THRU-BOLT
1292	M12x80 THRU-BOLT
1300	M12x120 THRU-BOLT
1312	M16x150 THRU-BOLT

PROJECTING BOLT ANCHOR

1327	M10x105 PROJECTING BOLT ANCHOR (M30 FIXTURE THICKNESS)
------	--

SPRING TOGGLE

1380	M10 SPRING TOGGLE
------	-------------------

GENERAL FASTENERS

If you do not see what you want then please ask one of our team

Bristol: 0117 961 7000

Coatbridge: 01698 535 930

Manchester: 0161 967 0400

Rochester: 01634 566 860



ASHWORTH
PEOPLE - PRODUCTS - SERVICE

MALLEABLE IRON FITTINGS

All product codes are prefixed 1960

MALLEABLE IRON FITTINGS

PRODUCT DESCRIPTION
CODE



BLK MALLEABLE IRON SCREW-ON-BRACKET

5000	8 A501 BLK MALLEABLE IRON SCREW-ON-BRACKET
5001	10 A501 BLK MALLEABLE IRON SCREW-ON-BRACKET
5002	15 A501 BLK MALLEABLE IRON SCREW-ON-BRACKET
5003	20 A501 BLK MALLEABLE IRON SCREW-ON-BRACKET
5004	25 A501 BLK MALLEABLE IRON SCREW-ON-BRACKET
5005	32 A501 BLK MALLEABLE IRON SCREW-ON-BRACKET
5006	40 A501 BLK MALLEABLE IRON SCREW-ON-BRACKET
5007	50 A501 BLK MALLEABLE IRON SCREW-ON-BRACKET
5008	65 A501 BLK MALLEABLE IRON SCREW-ON-BRACKET
5009	80 A501 BLK MALLEABLE IRON SCREW-ON-BRACKET
5010	100 A501 BLK MALLEABLE IRON SCREW-ON-BRACKET

BLK MALLEABLE IRON BACKPLATE

5051	1/4 BSP A515 BLK MALLEABLE IRON BACKPLATE
5071	M8 METRIC A515M BLK MALLEABLE IRON BACKPLATE
5072	M10 METRIC A515M BLK MALLEABLE IRON BACKPLATE
5073	M12 METRIC A515M BLK MALLEABLE IRON BACKPLATE

PRODUCT DESCRIPTION
CODE

BLK MALLEABLE IRON SINGLE PIPE RING

5103	20 BSP A529 BLK MALLEABLE IRON SINGLE PIPE RING
5122	15 METRIC A529M BLK MALLEABLE IRON SINGLE PIPE RING
5123	20 METRIC A529M BLK MALLEABLE IRON SINGLE PIPE RING
5124	25 METRIC A529M BLK MALLEABLE IRON SINGLE PIPE RING
5125	32 METRIC A529M BLK MALLEABLE IRON SINGLE PIPE RING
5126	40 METRIC A529M BLK MALLEABLE IRON SINGLE PIPE RING
5127	50 METRIC A529M BLK MALLEABLE IRON SINGLE PIPE RING
5128	65 METRIC A529M BLK MALLEABLE IRON SINGLE PIPE RING
5129	80 METRIC A529M BLK MALLEABLE IRON SINGLE PIPE RING
5130	100 METRIC A529M BLK MALLEABLE IRON SINGLE PIPE RING
5131	125 METRIC A529M BLK MALLEABLE IRON SINGLE PIPE RING
5132	150 METRIC A529M BLK MALLEABLE IRON SINGLE PIPE RING

BLK MALLEABLE IRON DOUBLE PIPE RING

5173	20 METRIC A530M BLK MALLEABLE IRON DOUBLE PIPE RING
5175	32 METRIC A530M BLK MALLEABLE IRON DOUBLE PIPE RING
5176	40 METRIC A530M BLK MALLEABLE IRON DOUBLE PIPE RING
5181	125 METRIC A530M BLK MALLEABLE IRON DOUBLE PIPE RING

GAL MALLEABLE IRON SCREW-ON-BRACKET

5200	8 A501 GAL MALLEABLE IRON SCREW-ON-BRACKET
5201	10 A501 GAL MALLEABLE IRON SCREW-ON-BRACKET
5202	15 A501 GAL MALLEABLE IRON SCREW-ON-BRACKET
5203	20 A501 GAL MALLEABLE IRON SCREW-ON-BRACKET
5204	25 A501 GAL MALLEABLE IRON SCREW-ON-BRACKET
5205	32 A501 GAL MALLEABLE IRON SCREW-ON-BRACKET
5206	40 A501 GAL MALLEABLE IRON SCREW-ON-BRACKET
5207	50 A501 GAL MALLEABLE IRON SCREW-ON-BRACKET
5208	65 A501 GAL MALLEABLE IRON SCREW-ON-BRACKET
5209	80 A501 GAL MALLEABLE IRON SCREW-ON-BRACKET
5210	100 A501 GAL MALLEABLE IRON SCREW-ON-BRACKET

PRODUCT DESCRIPTION
CODE

GAL MALLEABLE IRON BACKPLATE

5253	1/2 BSP A515 GAL MALLEABLE IRON BACKPLATE
5272	M10 METRIC A515M GAL MALLEABLE IRON BACKPLATE
5273	M12 METRIC A515M GAL MALLEABLE IRON BACKPLATE

BRIGHT ZINC PLATED BACKPLATE

5280	M8/M10 METRIC BRIGHT ZINC PLATED BACKPLATE - DUAL TAPPED
------	--

GAL MALLEABLE IRON SINGLE PIPE RING

5302	15 BSP A529 GAL MALLEABLE IRON SINGLE PIPE RING
5303	20 BSP A529 GAL MALLEABLE IRON SINGLE PIPE RING
5306	40 BSP A529 GAL MALLEABLE IRON SINGLE PIPE RING
5307	50 BSP A529 GAL MALLEABLE IRON SINGLE PIPE RING
5321	10 METRIC A529M GAL MALLEABLE IRON SINGLE PIPE RING
5322	15 METRIC A529M GAL MALLEABLE IRON SINGLE PIPE RING
5323	20 METRIC A529M GAL MALLEABLE IRON SINGLE PIPE RING
5324	25 METRIC A529M GAL MALLEABLE IRON SINGLE PIPE RING
5325	32 METRIC A529M GAL MALLEABLE IRON SINGLE PIPE RING
5326	40 METRIC A529M GAL MALLEABLE IRON SINGLE PIPE RING
5327	50 METRIC A529M GAL MALLEABLE IRON SINGLE PIPE RING
5328	65 METRIC A529M GAL MALLEABLE IRON SINGLE PIPE RING
5329	80 METRIC A529M GAL MALLEABLE IRON SINGLE PIPE RING
5330	100 METRIC A529M GAL MALLEABLE IRON SINGLE PIPE RING
5331	125 METRIC A529M GAL MALLEABLE IRON SINGLE PIPE RING
5332	150 METRIC A529M GAL MALLEABLE IRON SINGLE PIPE RING

GAL MALLEABLE IRON DOUBLE PIPE RING

5372	15 METRIC A530M GAL MALLEABLE IRON DOUBLE PIPE RING
5373	20 METRIC A530M GAL MALLEABLE IRON DOUBLE PIPE RING
5374	25 METRIC A530M GAL MALLEABLE IRON DOUBLE PIPE RING
5376	40 METRIC A530M GAL MALLEABLE IRON DOUBLE PIPE RING

BRASS FITTINGS

All product codes are prefixed 1960

BRASS FITTINGS

PRODUCT DESCRIPTION
CODE



BRASS HOSPITAL BRACKET

6024	42 A622 BRASS HOSPITAL BRACKET
------	--------------------------------

PRESSED BRASS SCREW ON BRACKET

6050	15 A623 PRESSED BRASS SCREW ON BRACKET
6051	22 A623 PRESSED BRASS SCREW ON BRACKET

PRESSED BRASS SCREW ON CHROME PLTD BRACKET

6060	15 A623CP PRESSED BRASS SCREW ON BRACKET CHROME PLTD
6061	22 A623CP PRESSED BRASS SCREW ON BRACKET CHROME PLTD
6062	28 A623CP PRESSED BRASS SCREW ON BRACKET CHROME PLTD

CAST BRASS SCREW ON BRACKET

6080	15 A624 CAST BRASS SCREW ON BRACKET
------	-------------------------------------

PRODUCT DESCRIPTION
CODE

6081	22 A624 CAST BRASS SCREW ON BRACKET
6082	28 A624 CAST BRASS SCREW ON BRACKET
6083	35 A624 CAST BRASS SCREW ON BRACKET
6085	54 A624 CAST BRASS SCREW ON BRACKET

CAST BRASS SCREW ON CHROME PLTD BRACKET

6090	15 A624CP CAST BRASS SCREW ON BRACKET CHROME PLTD
6091	22 A624CP CAST BRASS SCREW ON BRACKET CHROME PLTD
6092	28 A624CP CAST BRASS SCREW ON BRACKET CHROME PLTD

BRASS SINGLE RING METRIC

6161	15xM10 A632 BRASS SINGLE RING METRIC
6162	22xM10 A632 BRASS SINGLE RING METRIC
6163	28xM10 A632 BRASS SINGLE RING METRIC
6164	35xM10 A632 BRASS SINGLE RING METRIC

PRODUCT DESCRIPTION
CODE

6165	42xM10 A632 BRASS SINGLE RING METRIC
6166	54xM10 A632 BRASS SINGLE RING METRIC
6167	67xM10 A632 BRASS SINGLE RING METRIC
6168	76xM10 A632 BRASS SINGLE RING METRIC
6169	108xM10 A632 BRASS SINGLE RING METRIC

BRASS SINGLE RING METRIC CHROME PLTD

6181	15xM10 A632CP BRASS SINGLE RING METRIC CHROME PLTD
6182	22xM10 A632CP BRASS SINGLE RING METRIC CHROME PLTD
6183	28xM10 A632CP BRASS SINGLE RING METRIC CHROME PLTD
6184	35xM10 A632CP BRASS SINGLE RING METRIC CHROME PLTD
6185	42xM10 A632CP BRASS SINGLE RING METRIC CHROME PLTD
6186	54xM10 A632CP BRASS SINGLE RING METRIC CHROME PLTD

BRASS DOUBLE RING METRIC

6242	28xM10 A636 BRASS DOUBLE RING METRIC
------	--------------------------------------

METRIC BRASS FEM BACKPLATE

6276	M10 METRIC THREAD A640 BRASS FEM BACKPLATE
------	--

METRIC BRASS FEM BACKPLATE CHROME PLTD

6296	M10 METRIC THREAD A640CP BRASS FEM BACKPLATE CHROME PLTD
------	--

METRIC BRASS MALE BACKPLATE

6314	M10 METRIC THREAD A641 BRASS MALE BACKPLATE
------	---

METRIC BRASS MALE BACKPLATE CHROME PLTD

6334	M10 METRIC THREAD A641CP BRASS MALE BACKPLATE CHROME PLTD
------	---



ASHWORTH
PEOPLE - PRODUCTS - SERVICE

If you do not see what you want then please ask one of our team

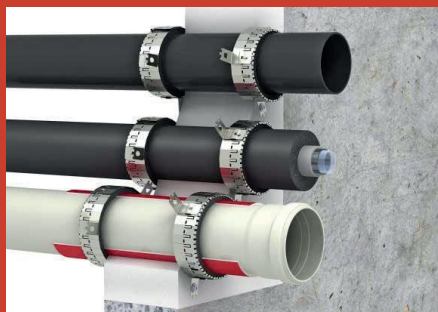
Bristol: 0117 961 7000

Coatbridge: 01698 535 930

Manchester: 0161 967 0400

Rochester: 01634 566 860

FIRE PROTECTION



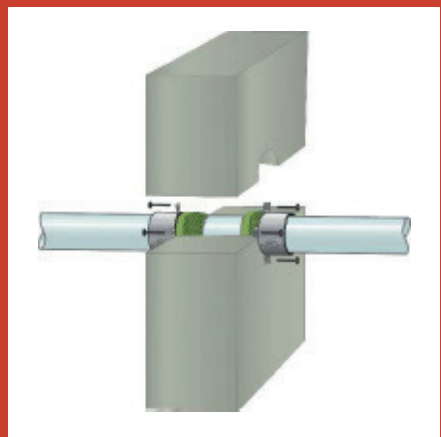
FIRE COLLARS



ACRYLIC MASTIC



FIRE SLEEVES



COLLAR INSTALLATION



PUTTY CORD



FIRE WRAPS



FIRE PILLOWS

FIRE PROTECTION

FLAT ROOF SUPPORT SYSTEMS



FLAT ROOF SUPPORT

If you do not see what you want then please ask one of our team

Bristol: 0117 961 7000

Coatbridge: 01698 535 930

Manchester: 0161 967 0400

Rochester: 01634 566 860



ASHWORTH
PEOPLE - PRODUCTS - SERVICE

PIPE & DRAINAGE SYSTEMS, VALVES, BRACKETRY & ASSOCIATED PRODUCTS

CARBON STEEL PIPE SYSTEMS



COPPER PIPE SYSTEMS



STAINLESS STEEL PIPE SYSTEMS



DRAINAGE SYSTEMS



PLASTIC PIPE SYSTEMS



VALVES & CONTROLS



PIPE SUPPORT SYSTEMS



INDUSTRIAL PIPE SYSTEMS



PIPE & DRAINAGE SYSTEMS, VALVES, BRACKETRY & ASSOCIATED PRODUCTS



ASHWORTH
PEOPLE - PRODUCTS - SERVICE

If you do not see what you want then please ask one of our team

Bristol: 0117 961 7000

Coatbridge: 01698 535 930

Manchester: 0161 967 0400

Rochester: 01634 566 860

ALBION albionvalves.uk

AQUATHERM aquatherm.com

CONEX BANNINGER conexbanninger.com

CRANE cranefs.com

GEBERIT geberit.co.uk

GEORGE FISCHER georgfischer.com

HATTERSLEY hattersley.com

PEGLER peglyorkshire.co.uk

POLYPIPE polypipe.com

SAINT GOBAIN saint-gobain-pam.co.uk

TATA STEEL tatasteelurope.com

VICTAULIC victaulic.com

WEDNESBURY wednesburytube.com

WILO wilo.com

If you do not see what you want then please ask one of our team

Bristol: 0117 961 7000

Coatbridge: 01698 535 930

Manchester: 0161 967 0400

Rochester: 01634 566 860



ASHWORTH
PEOPLE - PRODUCTS - SERVICE

BRANCHES

COATBRIDGE

Unit 1
Monksland Industrial Estate,
M8 Interlink, Coatbridge,
Lanarkshire ML5 4RP
T: 01698 535 930

MANCHESTER

Mill Hill Street,
Bolton, Greater Manchester,
Lancashire BL2 2AB
T: 0161 967 0400

MIDLANDS

BRISTOL

Unit 9, Oak Lane,
Fishponds Trading Estate,
Bristol BS5 7UY
T: 0117 961 7000

ROCHESTER

Neptune Way,
Medway City Estate,
Rochester
Kent ME2 4NA
T: 01634 566 860



Enquiries@Ashworth.uk.com



Ashworth.uk.com



ASHWORTH

PEOPLE - PRODUCTS - SERVICE

Suppliers of Pipe & Drainage Systems,
Valves, Bracketry & Associated Products